

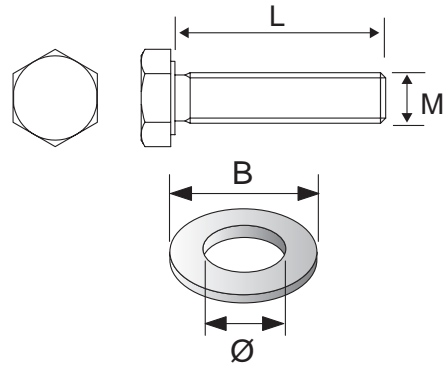


Screws and Washers (for use with Strut Channel and Cantilever Strut)

THM & MU

Technical Features

- Screws: M8x25, M10x25 and M10x30
- Washer : Ø 10,5mm, O.D. 21mm
- Material : Carbon steel
- Finish :
Screws: Hot Dipped Galvanized
Washer: Hot Dipped Galvanized
- Specifications :
Screws: With Polyamid Thread Locking Compound
To use with Nuts (see separate sheet)



Screws (for use with T-Head Nuts) - THM

Physical Data

Thread Size (M)	Length (L) (mm)	Box Qty.	Weight (x1) (kg / lbs)	Reference
M8	25	100	0,01 / 0.02	593735
M10	25	100	0,03 / 0.07	593745
M12	30	100	0,03 / 0.07	593755

Washer (for use with Screw THM M10) - MU

Physical Data

Size (Ø) (mm)	Overall Diameter (B) (mm)	Box Qty.	Weight (x1) (kg / lbs)	Reference
10,5	21	100	0,01 / 0.02	592415